

USER MANUAL - BRENCHIE

Please read the instructions carefully before using this product.

Model number: LTCS-2102

TECHNICAL SPECIFICATIONS

Model No: LTC-2102

Power: 180 W

Voltage: 24 V

Noise emissions: 107 dB

Production date: 2021/23

Manufacturer:

Spatz Global Limited

Unit 3a-8, 12/F, Kaiser Centre, No. 18

Centre Street, Sai Ying Pun, Hong Kong



Importer HS Plus d.o.o., Gmajna 10, 1236 Trzin, Slovenia

Made in China

IMPORTANT!

To preserve the life of the product, engine and battery, overheating protection is built into the product. Use continuously for a maximum of 5 minutes and leave switched off for at least 5 minutes before next use. In case of overheating, the product will automatically stop working and start working when it has cooled down sufficiently (depending on the ambient temperature). This product is not suitable for cutting hard wood or large pieces of wood (larger than 6 cm in diameter).

PACKAGE INCLUDES:

1 x main unit	1 x screwdriver
1 x battery	1 x socket wrench
1 x charging cable	1 x user manual
1 x chain	1 x protective cover
1 x chain holder	

SAFETY INSTRUCTIONS



WARNING: Read all safety warnings and all instructions. Failure to follow the warnings and instructions may result in electric shock, fire and/or serious body injuries. Save all of the warnings and instructions for future reference. The term "power tool" in the warnings refers to the power tool that is powered from the main power supply (with a plug-in power cord) or to the power tool that is battery-powered (without a plug-in power cord).

- Keep the work area clean and bright. Cluttered or dark areas invite accidents.
- Do not use power tools in explosive atmospheres, for example in the presence of flammable liquids, gases or dust. Power tools create sparks which may ignite the dust or fumes.
- Keep children and bystanders away while operating a power tool. Interference can cause you to lose control.
- Do not expose power tools to rain or wet conditions.
- Pay attention, observe and be aware of what you are doing and use power tools sensibly. Do not use the tool if you are tired, under the influence of drugs, alcohol or medication. A moment of inattention while using the power tool can cause serious injury.
- Use personal protective equipment. Always wear eye protection. Protective equipment such as a dust

mask, safety shoes with non-slip soles, a safety helmet or ear muffs, used in appropriate conditions, will reduce the number of injuries.

- Prevent unintentional starting. Make sure the power tool is switched off before connecting it to the main power supply and/or the battery, lifting it or carrying it. Carrying power tools with your finger on the switch or energizing power tools that have the switch on invites accidents.
- Before switching on the power tool, remove any setting tools or screwdriver from it. Tools or a wrench on the rotating part of the tool can cause injury.
- Do not overreach. Keep proper footing and balance at all times. This enables better control of the power tool in unexpected situations.
- Dress properly. Do not wear loose clothing or jewelry. Keep your hair, clothing, and gloves away from moving parts. Wide clothing, jewellery or long hair can get caught in them.
- Do not force the power tool. Use the correct power tool for your job. With the right power tool, you'll work better and safer within your intended performance range.
- Do not use the power tool if the switch does not turn it on and off. Any power tool that cannot be controlled with the switch is dangerous and must be repaired.

- Disconnect the plug from the power source and/or the battery pack from the power tool before making any adjustments, changing accessories, or storing power tools. Such preventive safety measures reduce the risk of starting the power tool accidentally.
- Keep power tools out of the reach of children when not in use. The tool must not be used by persons who are not familiar with the operation of the tool or who have not read this User Guide. Power tools are dangerous in the hands of untrained users.
- Maintain power tools. Check for misalignment or binding of moving parts, breakage of parts and any other condition that may affect the power tool's operation. If damaged, have the power tool repaired before use. Many accidents are caused by poorly maintained power tools.
- Keep the cutting tool sharp and clean. Properly maintained cutting tools with sharp cutting edges are less likely to bind and are easier to control.
- Use power tools, accessories, attachments, etc. in accordance with these instructions. Take into account the working conditions and the type of work you intend to do. Use of the chain saw for operations different than intended could result in a hazardous situation.
- Have your power tool serviced by a qualified repair person using only identical replacement parts. This will ensure that the safety of the power tool is maintained.
- Follow instruction for lubricating and changing accessories.
- Keep handles dry, clean and free from oil and grease.
- Keep all parts of the body away from the saw chain when the chain saw is operating. Before you start the chain saw, make sure the saw chain is not contacting anything. A moment of inattention while operating chain saws may cause entanglement of your clothing or body with the saw chain.
- Always hold the chain saw with your right hand on the rear handle and your left hand on the front handle. Holding the chain saw with a reversed hand configuration increases the risk of personal injury and should never be done.
- Hold the power tool by insulated gripping surfaces only, because the saw chain may contact hidden wiring or its own cord. Saw chains contacting a "live" wire may make exposed metal parts of the power tool "live" and could give the operator an electric shock.
- Wear safety glasses and hearing protection. Further protective equipment for head, hands, legs and feet is recommended. Adequate protective clothing will reduce personal injury by flying debris or accidental contact with the saw chain.
- Do not operate a chain saw in a tree. Operation of a chain saw while up in a tree may result in personal injury.
- Always keep proper footing and operate the chain saw only when standing on fixed, secure and level surface. Slippery or unstable surfaces such as ladders may cause a loss of balance or control of the chain saw.
- When cutting a branch that is under tension be alert for spring back. When the tension in the wood fibers is released the spring-loaded branch may strike the operator and/or throw the chain saw out of control.
- Carry the chain saw by the front handle with the chain saw switched off and away from your body. Proper handling of the chain saw will reduce the likelihood of accidental contact with the moving saw chain.
- Follow instructions for lubricating, chain tensioning and changing accessories. An inadequately lubricated chain can break or increase the chance of kickback.
- Cut wood only. Do not use chain saw for purposes not intended. For example: do not use chain saw for cutting plastic, masonry or non-wood building materials. Use of the chain saw for operations different than intended could result in a hazardous situation.
- Causes and operator prevention of kickback: Kickback may occur when the nose or tip of the guide bar touches an object, or when the wood closes in and pinches the saw chain in the cut. Tip contact in some cases may cause a sudden reverse reaction, kicking the guide bar up and back towards the operator.

Pinching the saw chain along the top of the guide bar may push the guide bar rapidly back towards the operator. Either of these reactions may cause you to lose control of the saw which could result in serious personal injury. Do not rely exclusively upon the safety devices built into your saw. As a chain saw user, you should take several steps to keep your cutting jobs free from accident or injury. Kickback is the result of tool misuse and/or incorrect operating procedures or conditions and can be avoided by taking proper precautions as given below:

-Maintain a firm grip, with thumbs and fingers encircling the chain saw handles, with both hands on the saw and position your body and arm to allow you to resist kickback forces. Kickback forces can be controlled by the operator, if proper precautions are taken. Do not let go of the chain saw.

-Do not overreach and do not cut above shoulder height. This helps prevent unintended tip contact and enables better control of the chain saw in unexpected situations.

-Only use replacement bars and chains specified by the manufacturer. Incorrect replacement bars and chains may cause chain breakage and/or kickback. Follow the manufacturer's sharpening and maintenance instructions for the saw chain.

-Never begin the cut with the tip of the bar.

-Never use the tip of the bar for cutting. Take particular care when resuming cuts which have already been started.

-Start the cut with the chain running.

-Always sharpen the chain correctly. Set the depth gauge to the correct height.

-Never saw several branches at the same time.

-When limbing, take care to prevent the bar from coming into contact with other branches.

- Work only on firm ground and with a good footing. Pay particular attention to obstacles (e.g. the cable) in the working area. Take particular care where moisture, ice, snow, freshly cut wood or bark may make surfaces slippery. Do not stand on ladders or trees when using the saw.
- Do not operate the chain saw in the vicinity of flammable dust or gases, as the motor generates sparks and presents a risk of explosion.
- Never cut above shoulder height.
- Take particular care when working on sloping ground; rolling trunks and branches pose a potential hazard.
- Hold the chain saw with both hands when switching it on and using it. Hold the rear handle with your right hand and the front handle with your left. Hold the handles firmly with your thumbs. The bar and the chain must not be in contact with any objects when the saw is switched on.
- Clean the area to be cut of foreign objects such as sand, stones, nails, wire, etc. Foreign objects damage the bar and chain, and can lead to dangerous kickback.
- Take particular care when cutting in the vicinity of wire fences. Do not cut into the fence, as the saw may kick back.
- Do not cut into the ground.
- Cut pieces of wood singularly, not in bunches or stacks.
- Avoid using the saw to cut thin branches and roots, as these can become entangled in the chain saw. Loss of balance presents a hazard.
- Do not use the chain saw to brush away pieces of wood and other objects.
- Guide the chain saw such that no part of your body is within the extended path of the saw chain.
- Read the instruction manual in order to familiarize yourself with operation of the chain saw.
- Before using the chain saw for the first time, arrange to have instruction in its operation. If this is not possible, at least practice cutting round timber on a trestle before beginning work.
- Saws must not be used by children or young people under the age of 18. Exceptions are young people over 16 years of age who are being trained under the supervision of a professional.
- Working with the chain saw requires a high level of concentration. Do not work with the saw if you are

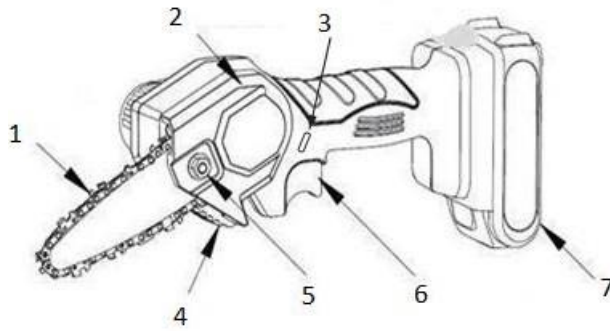
- not feeling fit and well. Carry out all work calmly and carefully.
- Never use the saw under the influence of alcohol, drugs or medication.
 - The chain saw is intended solely for cutting wood. Do not use it for example to cut plastic or porous concrete.
 - Only use the chain saw for operations described in this instruction manual.
 - Do not, for example, use it to trim hedges or for similar purposes.
 - The chain saw must not be used for forestry work, i.e. for felling and limbing standing timber.
 - The chain saw cable does not provide the operator with the mobility and safety required for such work.
 - The chain saw is not intended for commercial use.
 - Do not overload the chain saw.

PERSONAL PROTECTIVE EQUIPMENT

Use of following personal protective equipment is highly recommended when using the power tool:

- Clothing must be close-fitting, but must not obstruct mobility.
- Wear the following protective clothing during work.
- A tested safety helmet, if a hazard is presented by falling branches or similar.
- A face mask or goggles.
- Suitable ear protection (ear muffs, custom or moldable ear plugs).
- Firm leather safety gloves.
- Long trousers manufactured from strong fabric.
- Safety shoes or boots with non-slip soles' steel toes, and cut-resistant fabric lining.
- A breathing mask, when carrying out work which produces dust (e.g. sawing dry wood).

PRODUCT DESCRIPTION

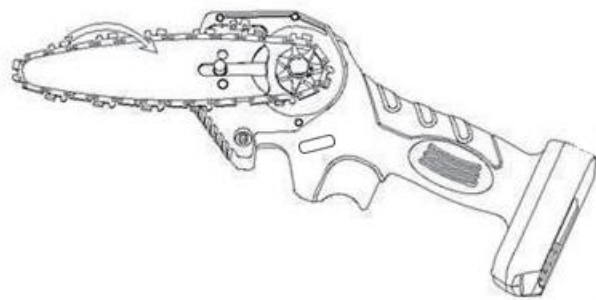
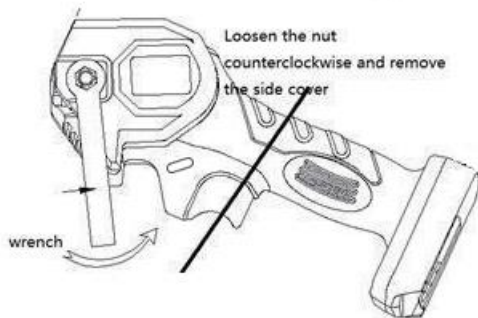


1 Guide bar
2 Side cover
3 Safety switch
4 Felling dog

5 Gland nut
6 Switch
7 Battery

HOW TO REMOVE CHAIN

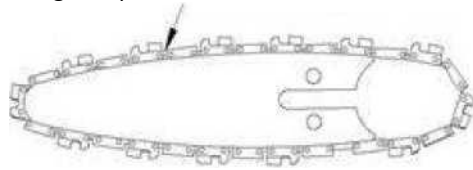
1. Loosen compression button in counterclockwise motion.



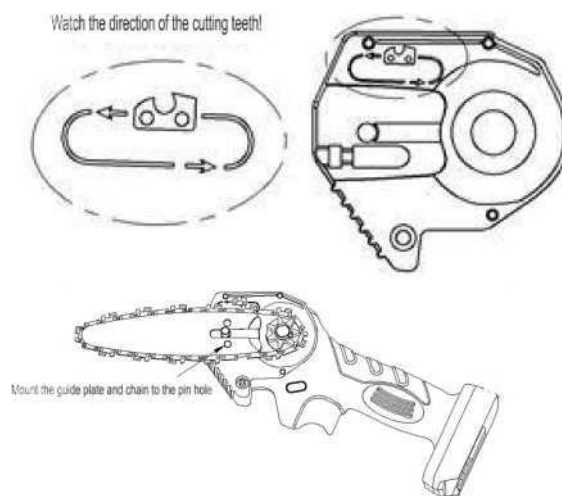
2. Loosen the nut counterclockwise and remove the side cover.

HOW TO INSTALL CHAIN

Load the chain on the guide plate

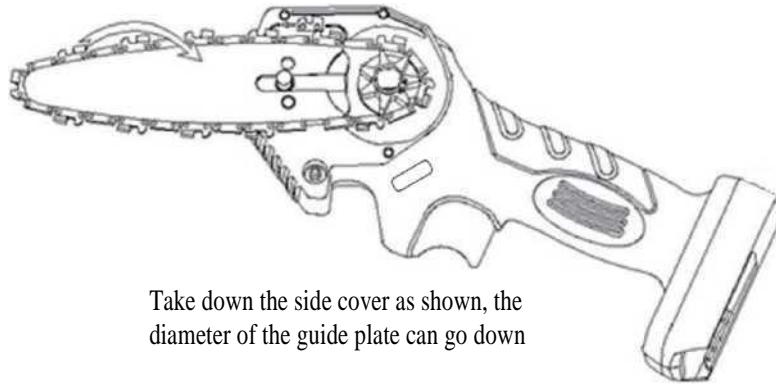


1. Load the chain into the guide plate, and the middle guide tooth just sticks into the guide plate guide slot. Note: the chain blade should be forward. Note: The charging chainsaw has a system to adjust the tensioning of the chain. When installing the guide plate, make sure that the adjusting block gets stuck into the positioning adjusting hole at the end of the guide plate!



2. Align the pin hole and install the reverse hole and chain.

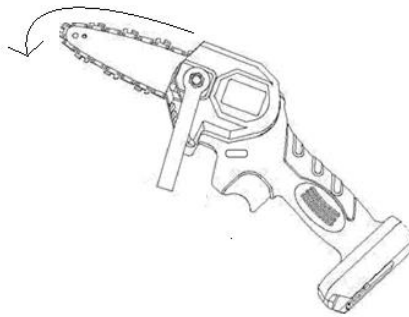




Take down the side cover as shown, the diameter of the guide plate can go down

3. Install the side cover and tighten the screw nut.

4. Direction of saw rotation.

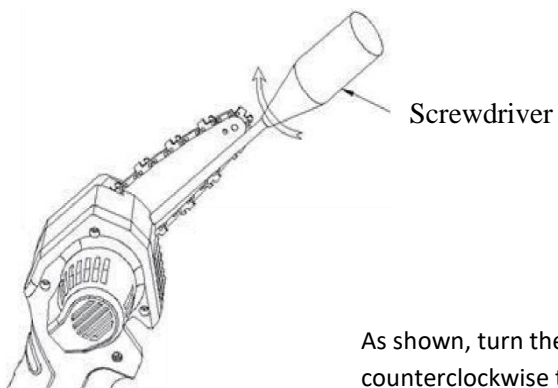


HOW TO ADJUST TIGHTNESS OF CHAIN



Loosen the compression nut

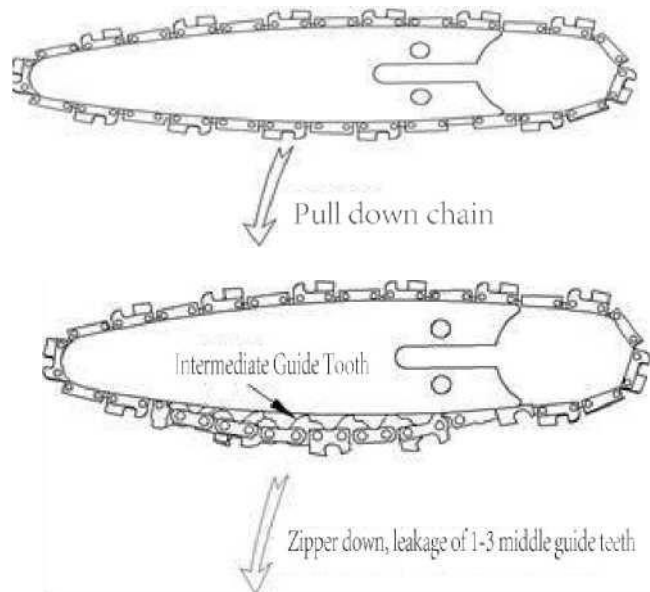
1. The adjustment standard is to lift the chain in the middle of the guide plate by hand and expose 1-3 middle guide teeth.



Screwdriver

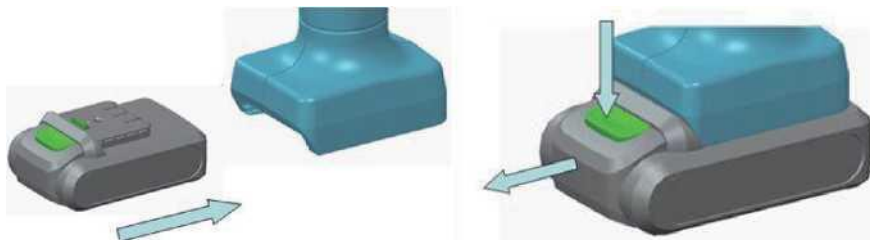
As shown, turn the adjusting screw clockwise to tighten the chain, counterclockwise to send

2. Loosen compression nut. As shown in picture, twist the adjusting screw clockwise to tension the chain, counterclockwise to loosen the chain.

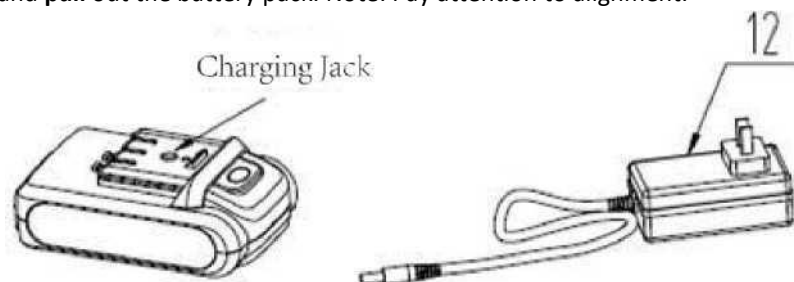


3. The new chain will be stretched in the early stage of use. Please check and adjust to the appropriate tension frequently, because the loose chain is easy to derail, which may lead to rapid wear of the chain and guide plate.
4. The chain must be stuck to the sprocket. After installation, please check it again.

CHARGING THE BATTERY



1. Press button and **pull** out the battery pack. Note: Pay attention to alignment.



2. Connect the battery to the charger, which has been plugged into power supply. Note: Make sure that the main power supply voltage is compatible with the voltage on the type plate. When the red light on the charger is on, the battery is charging and the green light means that charging is complete. The average charge time is 2 hours.
3. When charging is complete, remove adapter from the power source and then remove the connector from battery.
4. The battery needs to be recharged at least once every three months.

ADDITIONAL SAFETY INSTRUCTIONS

Do not expose the battery to extreme conditions such as high temperature or shock. Otherwise, it will cause personal injury due to the leakage of the electrolytic solution.

Before charging, check that the surface of the battery is clean and dry.

Before delivery, the battery of this product is not fully charged. Therefore, before the first use, it must be charged in full.

Do not charge the battery for long periods of time.

If the battery life with sufficient electricity is significantly shorter, it must be replaced.

The user can only use the battery pack of manufacturer of power tool.

In order to save the use of electric batteries and ensure the best battery life, do not overload the power tool by cutting wet and dry branches over 60mm diameter.

If the user feels the power of the tool is not enough or the cutting is not smooth enough, check if battery is low or blade is dull.

CLEANING AND MAINTANCE

Repair functions not mentioned herein shall be performed by the appropriately qualified technician. To ensure the safety of use, only the original parts can be used.

Before any maintenance or cleaning of the power tool, remove the battery from the power tool and store the battery in a safe place.

Wear hand protection when touching safety blades. Touching blade with bare hands increases risk of injury. Cleaning and maintenance must be carried out regularly. This ensures long-term and reliable operation of the power tool.

Clean the chain carefully after each use. Wipe the chain with lubricating oil and spray with metal protection spray.

After continuous operation, please remove the debris such as dust from the front turbulent cover plate of the equipment.

STORAGE

1. To ensure that the battery is fully charged, avoid charging in extremely hot or cold environments.
2. If the power tool will not be used for a long time, please remove the battery before storage.
3. The batteries and chargers must be placed in the instrument box to prevent heat, dust and moisture from entering.
4. Check, if switch is off.
5. The battery should be stored in a dry environment within storage temperature 0°-20°C.
6. The distance between the battery and any combustible items must be kept beyond 1,5m.
7. To ensure the service life of the equipment and prevent its degradation, store it in a fully charged

state. When not in use, charge and discharge the battery. Do not turn on the power switch when storing.

Indicator light:

RED	CHARGING
GREEN	CHARGING COMPLETED

Recycling and disposal instructions



This marking indicates that this product should not be disposed with other household wastes throughout the EU. To prevent possible harm to the environment or human health from uncontrolled waste disposal; recycle it responsibly to promote the sustainable reuse of material resources. To return your used device, please use the return and collection systems or contact the retailer where the product was purchased. They can take this product for environmentally safe recycling.



Manufacturer's declaration that the product complies with the requirements of the applicable EC Directives.

Interpretation of the markings



Wear protective goggles



Use noise protection



Do not expose to rain



See instructions for use



Protection class II; double insulation



Direction of rotation of the chainsaw



WARNING: Do not look into the working light

Product label: Max. 130 mm (indicates maximum guide plate length)

EU DECLARATION OF CONFORMITY
According to EC Directive - CE

Producer: Spatz Global Limited
Address: Unit 3A-8, 12/F, Kaiser Centre, No. 18 Centre Street, Sai Ying Pun, Hong Kong
Phone: 0086 18505815587
Email: emmy@keepselected.cn

This declaration of conformity is issued under the sole responsibility of the manufacturer.

Product name: **BRENCHIE (CHAINSAW)**
Model no.: LTCS-2102

Has been designed and manufactured in accordance to the following technical regulation:

EMC directive 2014/30/EU

LVD directive 2014/35/EU

ROHS directive 2011/65/EU and 2015/863

Machinery directive 2006/42/EC

Noise emission directive 2000/14/EC

The object of the declaration is in conformity with relevant Union harmonization legislation.

EN 55014-1:2017+A11:2020

EN IEC 61000-3-2:2019

EN 61000-3-3:2013+A1:2019

EN 55014-2:2015

EN 60745-2-13:2009+A1:2010

EN 60204-1:2018

EN ISO 12100:2010

IEC 62321-3-1:2013

IEC 62321-5:2013

IEC 62321-4:2013

IEC 62321-7-1:2015

IEC 62321-7-2:2017

IEC 62321-6:2015 EN

62841-1:2015 EN ISO

3744:1995

The products were produced according to the European Union directive and standards.

Measured noise level: 107 dB

The authorized person for compilation of the technical file is: Rok

Slapar, HS Plus d.o.o., Gmajna 10, 1236 Trzin, SI 15553442

Manufacturer: Spatz Global Limited
Stamp/signature: *For and on behalf of*
Spatz Global Limited
施帕茨全球有限公司
(insert signature here)
Name/surname: Yannan Wang
Title: Director
Yannan Wang
.....
Authorized Signature(s)
Place and Date: Hong Kong 2021.07.22