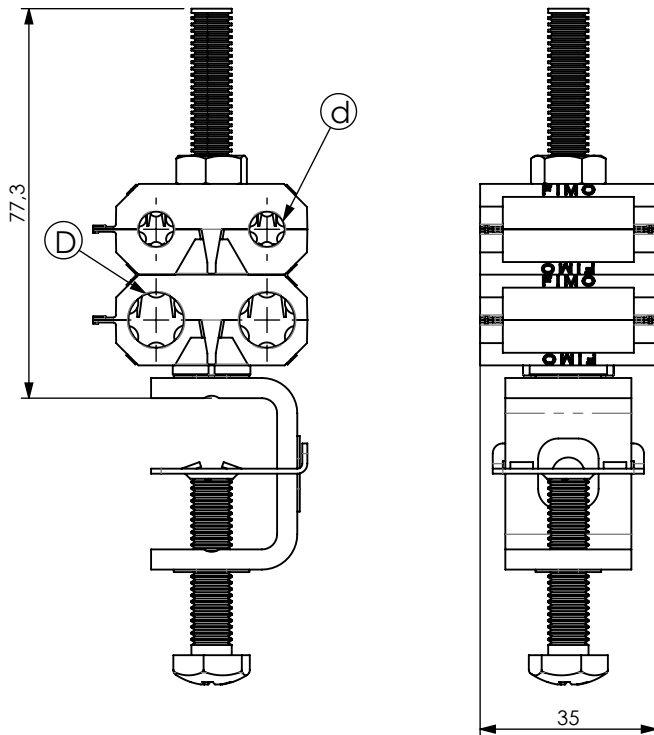


# PRODUCT DATA SHEET



## A) SPECIFICATIONS

- 1 Calibrated double black saddles made in PA.66
- 2 Stainless steel threaded bar BFI M8
- 3 Stainless steel flat Washer RPI 8/16
- 4 Stainless steel hexagonal nut DAI 8
- 5 Stainless steel MIM 8 clamp

## B) RESISTANCE TESTS

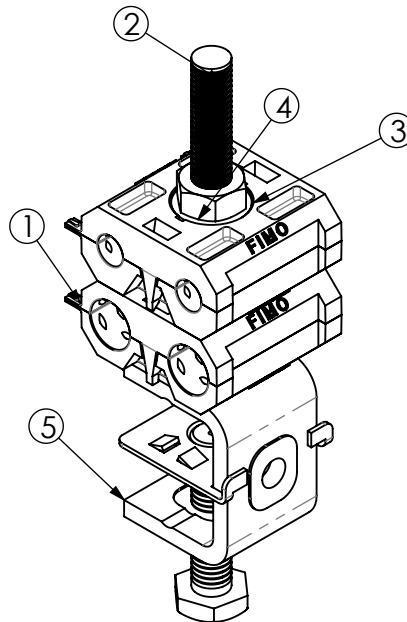
UV Test BS-ISO 105-B06  
 Vibration test conforming to UNI 60068-2-6  
 IP RATING: N.A.  
 Operating temperature: -30°C +120°C

## C) PACKAGING INFORMATION



Packing in boxes.  
 Label indicating:  
 product code, article, quantity,  
 production batch,  
 FIMO logo and figure.  
 ( Customer code on request ).



## D) MOUNTING INSTRUCTIONS

On request



|         |                   |
|---------|-------------------|
| code    | <b>6115704117</b> |
| article | MCC 2x11+SAC 2x7  |

|          |          |   |   |
|----------|----------|---|---|
| <b>D</b> | <b>d</b> |  |  |
| 9-11     | 5-7      | 20  | 0.1489kg.   |

| RI  | DATE     | DR   | DATE     | AP  | Description:  |
|---|----------|------|----------|---|---|
| 02  |          |      |          |   | MCC 2x11+SAC 2x7 double saddles + MIM 8 clamp               |
| 01  |          |      |          |   |   |
| 00  | 15/05/12 | G.S. | 15/05/12 | A.V.  |   |
| 1 <sup>ST</sup> EMISSION  |          |      |          |   |   |
|  |          |      |          |  | Use:<br>Fastening of 4 cables on flats, rounds and angulars |