

31306-MS

3A FULL BRIDGE STEPMOTOR DRIVER

INPUT: 10-35VDC (24 Nominal)

OUTPUT: Selectable up to 3A max.

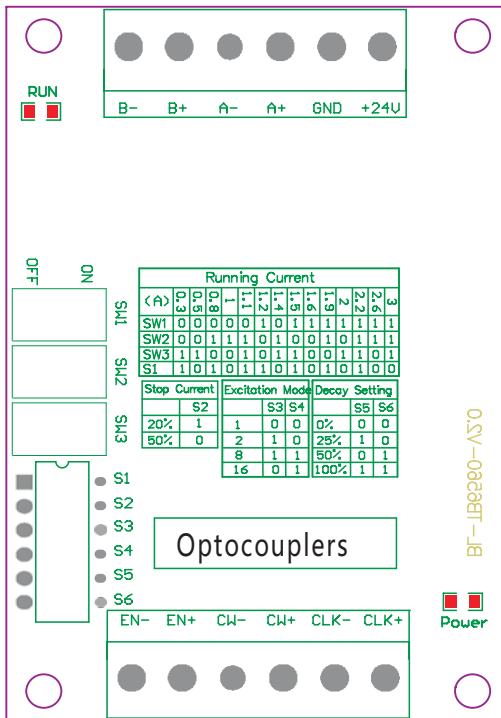
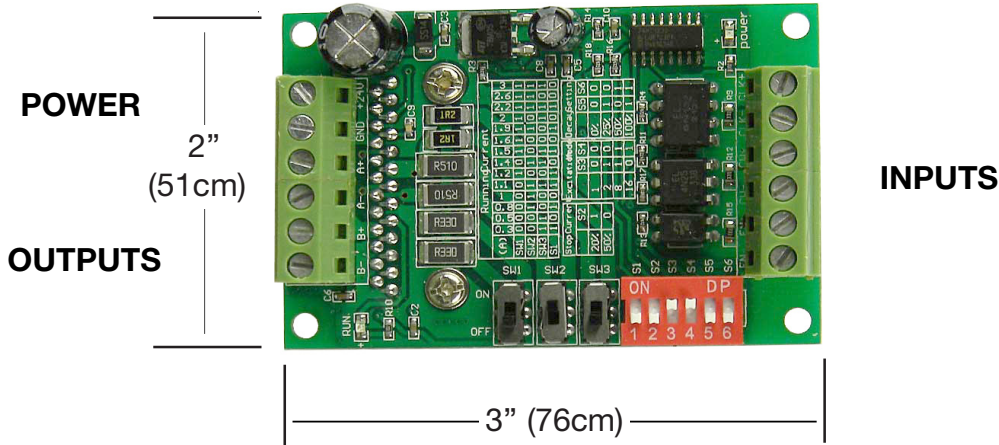
STEP: Full & 1/2-1/8-1/16 Microstep

Full bridge driver for 4 or 6 wire hybrid steppermotors. Automatic drop to Hold current with no step Input. Switch Selectable output current. .3A-3A

Over temperature & current Protected. Under Voltage Shutdown

Opto isolated Step, Direction & Enable Inputs. (+5V Level) Terminal strips in/out.

Power and Run LEDs



Wiring Terminal symbol	Description
+24V, GND	Power positive and negative
A+, A-	Motor phase A
B+, B-	Motor phase B
CLK+, CLK-	Pulse positive and negative
CW+, CW-	Direction positive and negative
EN+, EN-	Enable positive and negative

Warning:

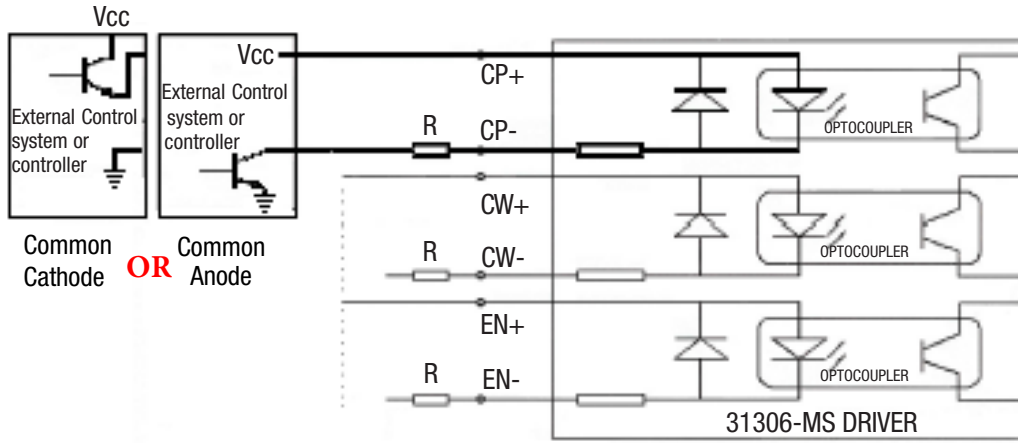
- 1: Check the connection twice!
The6560 chipset can be damaged if the motor or the power supply are not connected properly.
- 2: Don't connect a motor with a rated current in excess of 3A to this driver.
- 3: Do not set the current higher than the motor rated current!



MARLIN P. JONES & Assoc., INC.

P.O. Box 530400 Lake Park, FL 33403
800-652-6733 FAX 561-844-8764
WWW.MPJA.COM

31306-MS



Note:

- 1: 6 input terminals can be connected as common anode or cathode.
- 2: The normal input voltage is 5V. If more than 5V, then a series resistor **R** is needed. For 12V this resistance is 1K, For 24V the resistance is 2.4K..
- 3: When pulses are applied to **CP**, the motor will rotate. Motor will stop when there is no **CP** pulse, and the driver will change to a holding current of 50% or 20% of the Running Current & S2 setting
- 4: Motor will rotate clockwise when **CW** is low level and counter clockwise when **CW** is a High level
- 5: Motor is enable when **EN** is low level and disable when **EN** is high level.

Running Current														
(A)	0.3	0.5	0.8	1	1.1	1.2	1.4	1.5	1.6	1.9	2	2.2	2.6	3
SW1	OFF	OFF	OFF	OFF	OFF	ON	OFF	ON	ON	ON	ON	ON	ON	ON
SW2	OFF	OFF	ON	ON	ON	OFF	ON	OFF	OFF	ON	OFF	ON	ON	ON
SW3	ON	ON	OFF	OFF	ON	OFF	ON	ON	OFF	OFF	ON	ON	OFF	ON
S1	ON	OFF	ON	OFF	ON	ON	OFF	ON	OFF	ON	OFF	ON	OFF	OFF

Stop Current	
	S2
20%	ON
50%	OFF

Excitation Mode		
Step	S3	S4
whole	OFF	OFF
half	ON	OFF
1/8	ON	ON
1/16	OFF	ON

Decay Setting		
	S5	S6
0%	OFF	OFF
25%	ON	OFF
50%	OFF	ON
100%	ON	ON



MARLIN P. JONES & Assoc., INC.

P.O. Box 530400 Lake Park, FL 33403
 800-652-6733 FAX 561-844-8764
 WWW.MPJA.COM