



CorePro LEDspot LV



CorePro LED spot ND 7-50W MR16 827 36D

CorePro LEDspots are a perfect fit for spot lighting and deliver warm halogen-like light. They are compatible with most existing fixtures with MR16 GU5.3 holders and are designed as a retrofit replacement for halogen or incandescent spots. LEDlamps deliver huge energy savings and minimize maintenance cost.

Product data

General information	
Cap base	GU5.3 [GU5.3]
EU RoHS compliant	Yes
Nominal lifetime (nom.)	15000 h
Switching cycle	50000
Technical type	7-50W Narrow Cone
Tier	MASTER
Light technical	
Colour Code	827 [CCT of 2,700 K]
Beam Angle (Nom)	36 °
Luminous flux (nom.)	621 lm
Luminous intensity (nom.)	1400 cd
Colour designation	Warm white (WW)
Correlated Colour Temperature (Nom)	2700 K
Luminous efficacy (rated) (nom.)	88 lm/W
Colour consistency	<6
Colour rendering index (nom.)	80
LLMF at end of nominal lifetime (nom.)	70 %
Luminous flux in 90° cone (rated)	621 lm

Operating and electrical	
Input frequency	- Hz
Power (Rated) (Nom)	7 W
Lamp current (nom.)	730 mA
Wattage equivalent	50 W
Starting time (nom.)	0.5 s
Warm-up time to 60% light (nom.)	0.5 s
Power factor (nom.)	0.8
Voltage (Nom)	12 V

Temperature	
T-Case maximum (nom.)	85 °C

Controls and dimming	
Dimmable	No

Mechanical and housing	
Bulb shape	MR16 [2inch/50mm]

Approval and application	
Energy Efficiency Class	F
Suitable for accent lighting	Yes
Energy consumption kWh/1,000 hours	7 kWh

CorePro LEDspot LV

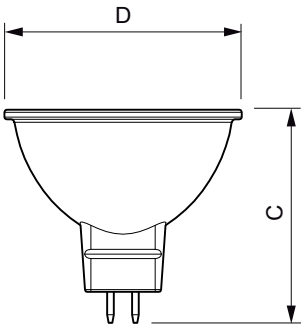
465221

Product data

Full product code	871869681471000
Order product name	CorePro LED spot ND 7-50W MR16 827 36D
EAN/UPC – product	8718696814710
Order code	81471000

SAP numerator – quantity per pack	1
Numerator – packs per outer box	10
SAP material	929001904802
Net Weight (Piece)	0.030 kg

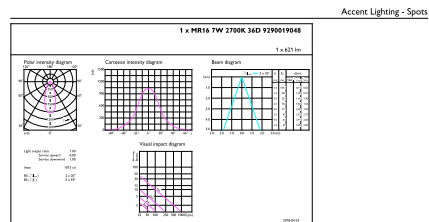
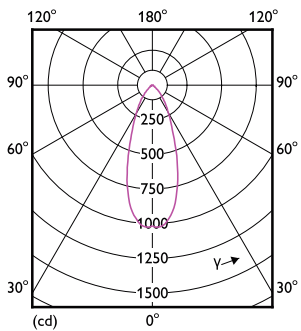
Dimensional drawing



CorePro LED spot ND 7-50W MR16 827 36D

Product	D	C
CorePro LED spot ND 7-50W MR16 827 36D	50.5 mm	45 mm

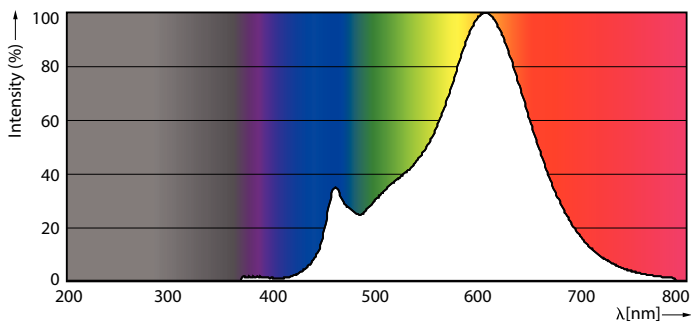
Photometric data



CalcLux Photometrics 4.5 Philips Lighting B.V. Page 1/1

LEDspot Corepro 7-50W GU5.3 MR16 827 36D ND

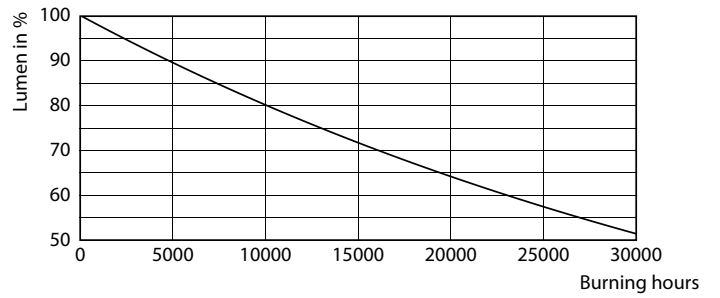
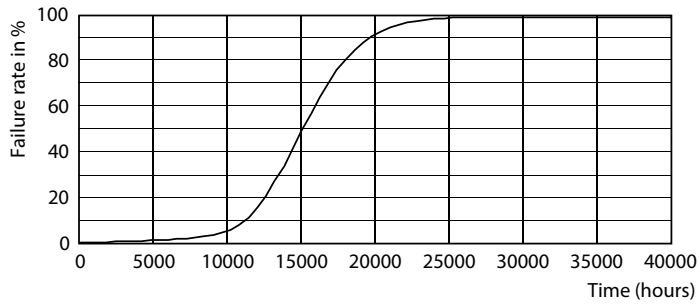
LEDspot Corepro 7-50W GU5.3 MR16 827 36D ND



LEDspot Corepro 7-50W GU5.3 MR16 827 36D ND

CorePro LEDspot LV

Lifetime



LEDspot Corepro 7-50W GU5.3 MR16 827 36D ND

LEDspot Corepro 7-50W GU5.3 MR16 827 36D ND

