

# CorePro LEDspot LV



## CorePro LED spot ND4.4-35W MR16 840 36DUK

CorePro LEDspots are a perfect fit for spot lighting and deliver warm halogen-like light. They are compatible with most existing fixtures with MR16 GU5.3 holders and are designed as a retrofit replacement for halogen or incandescent spots. LED lamps deliver huge energy savings and minimize maintenance cost.

### Product data

General information		Lamp current (nom.)	
Cap base	GU5.3 [ GU5.3]		520 mA
EU RoHS compliant	Yes	Wattage equivalent	35 W
Nominal lifetime (nom.)	15000 h	Starting time (nom.)	0.5 s
Switching cycle	50000	Warm-up time to 60% light (nom.)	0.5 s
Tier	CorePro	Power factor (nom.)	0.6
		Voltage (Nom)	ac electronic 12 V
Light technical		Temperature	
Colour Code	840 [ CCT of 4,000 K]	T-Case maximum (nom.)	85 °C
Beam Angle (Nom)	36 °		
Luminous flux (nom.)	390 lm	Controls and dimming	
Luminous intensity (nom.)	750 cd	Dimmable	No
Colour designation	Cool White (CW)	Mechanical and housing	
Correlated Colour Temperature (Nom)	4000 K	Bulb shape	MR16 [ 2inch/50mm]
Luminous efficacy (rated) (nom.)	88.00 lm/W	Approval and application	
Colour consistency	<6	Energy Efficiency Class	F
Colour rendering index (nom.)	80	Suitable for accent lighting	Yes
LLMF at end of nominal lifetime (nom.)	70 %	Energy consumption kWh/1,000 hours	5 kWh
Luminous flux in 90° cone (rated)	390 lm		421458
Operating and electrical			
Input frequency	- Hz		
Power (Rated) (Nom)	4.4 W		

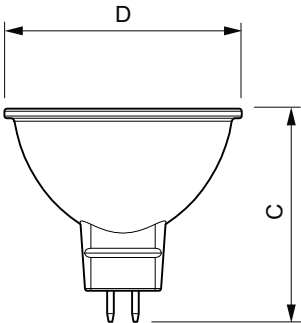
# CorePro LEDspot LV

## Product data

Full product code	871951430708701
Order product name	CorePro LED spot ND4.4-35WMR16 840 36DUK
EAN/UPC – product	8719514307087
Order code	30708701
SAP numerator – quantity per pack	1

Numerator – packs per outer box	10
SAP material	929002494799
Net Weight (Piece)	0.045 kg

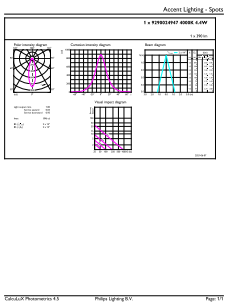
## Dimensional drawing



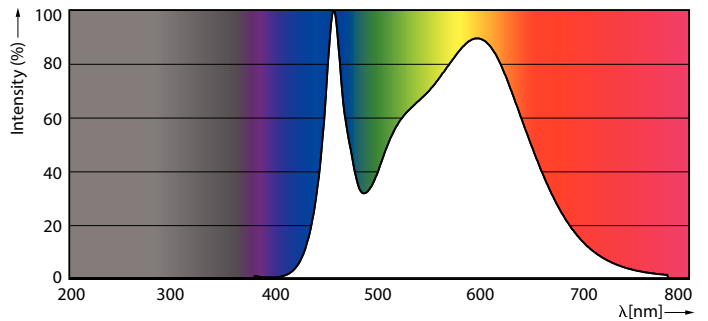
CorePro LED spot ND4.4-35WMR16 840 36DUK

Product	D	C
CorePro LED spot ND4.4-35WMR16 840 36DUK	50.5 mm	45.5 mm

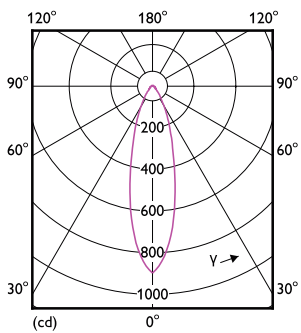
## Photometric data



LEDspots Corepro SLR 2 4,4W MR16 GU5,3 840 36D-ADL



LEDspots Corepro SLR 2 4,4W MR16 GU5,3 840 36D-POC



LEDspots Corepro SLR 2 4,4W MR16 GU5,3 840 36D-LDD

# CorePro LEDspot LV

## Lifetime



Life Expectancy Diagram

Lumen Maintenance Diagram

