

## SIREN M19

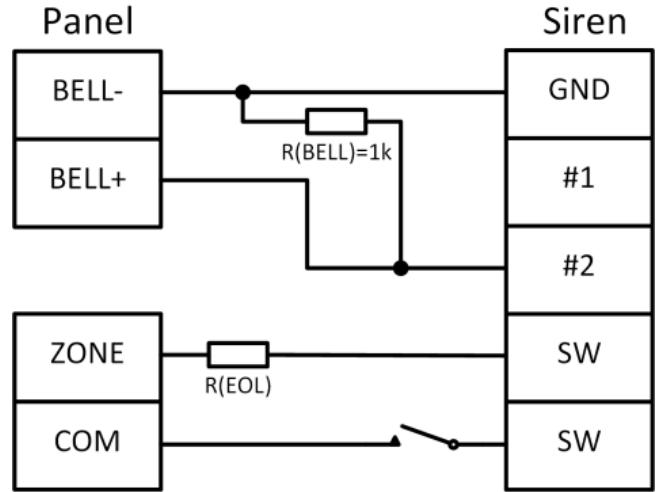
### INSTALLATION MANUAL

**MOUNTING:** Select a suitable position to mount the unit, which satisfies the following criteria: highly prominent for maximum deterrence; additional shelter (e.g. under the eaves) is an advantage; high enough to be out of normal reach to deter tampering; safe ladder access; good cable access.

**NOTE:** Equipment must be mounted vertically on a wall in order to increase the resistance to the effects of weather.

**WIRING:** Connect the unit to the control panel as follows:

<b>GND</b>	Negative supply terminal.
<b>#1</b>	Positive supply terminal. 1-st sounder tone – continuous beep.
<b>#2</b>	Positive supply terminal. 2-nd sounder tone – alternating beep.
<b>SW</b>	Tamper switch terminal.
<b>SW</b>	Tamper switch terminal.



## SIREN M19

### INSTALLATION MANUAL

**MOUNTING:** Select a suitable position to mount the unit, which satisfies the following criteria: highly prominent for maximum deterrence; additional shelter (e.g. under the eaves) is an advantage; high enough to be out of normal reach to deter tampering; safe ladder access; good cable access.

**NOTE:** Equipment must be mounted vertically on a wall in order to increase the resistance to the effects of weather.

**WIRING:** Connect the unit to the control panel as follows:

<b>GND</b>	Negative supply terminal.
<b>#1</b>	Positive supply terminal. 1-st sounder tone – continuous beep.
<b>#2</b>	Positive supply terminal. 2-nd sounder tone – alternating beep.
<b>SW</b>	Tamper switch terminal.
<b>SW</b>	Tamper switch terminal.

