

## Comfort from every angle

\*Compatible with most TV remotes

The Swing Mount is a motorized TV mount, with swinging ability to 180 Degrees. This unit is equipped with IR - Multicode system - which means it can be operated with basically any TV remote. You can program up to 3 favorite angles, to which the mount can be adjusted easily. Elegant and durable design allows hanging even the biggest TVs. Thanks to the unique safety system you don't have to worry about your screen hitting anything, or knocking over any obstacle that might get in the way. Precise angle measurement allows the motor to place the TV right where you want it, many times in a row.



Universal  
IR receiver



Easy angle  
adjustment



Active  
RJ-45 socket



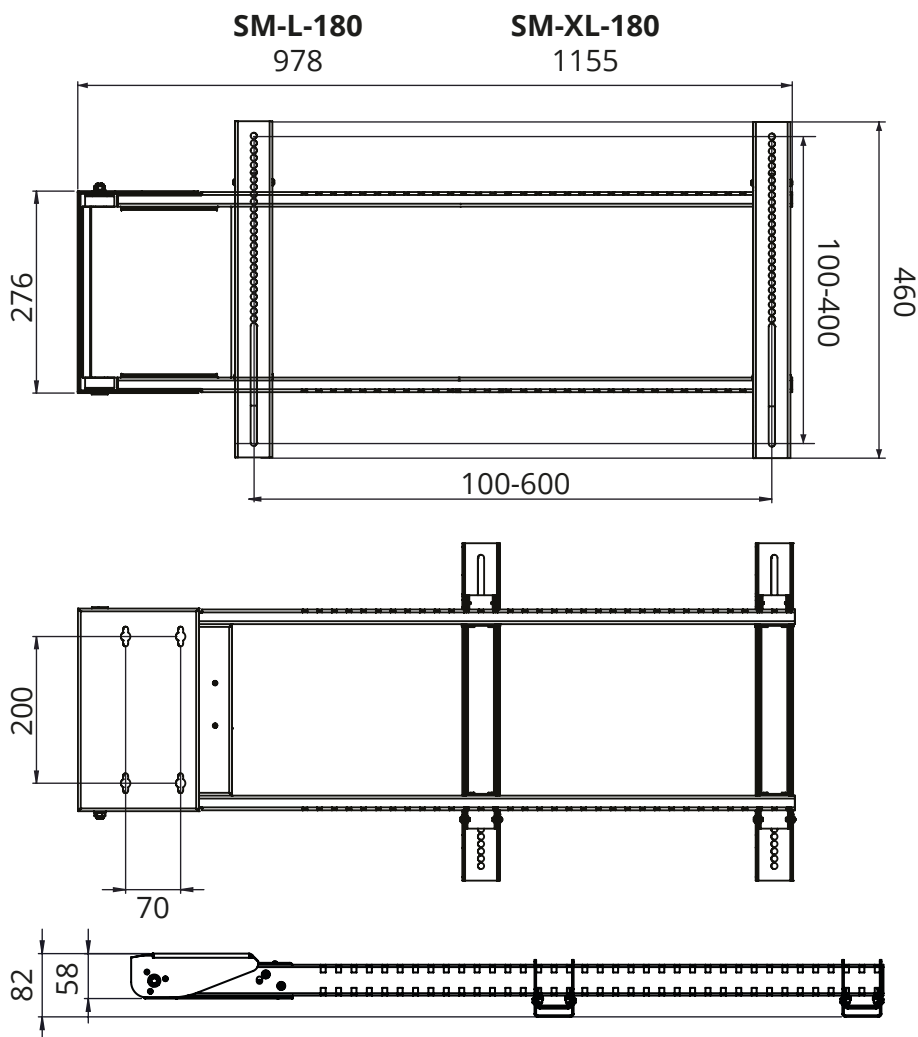
Safety  
systems



Tilt  
adjustment



5 year  
warranty



Manual tilt adjustment



$\pm 7^\circ$



IR receiver

Compatible accessories on pages 56 - 57



## Specification

	SM-L-180	SM-XL-180
<b>lifting capacity</b>	30 kg / 65 lb	40 kg / 88 lb
<b>angle of rotation</b>	$\pm 180^\circ$	$\pm 180^\circ$
<b>rotation speed</b>	2°/s	2°/s
<b>max. VESA</b>	600x400	600x400
<b>max. TV size</b> (Depends on the TV width and VESA standard)	65"	75"
<b>power consumption</b>	3,5W	
<b>power supply</b>	115V/230V	
<b>safety system</b>	clutch	

Find out more on: [rtv.sabaj.pl](http://rtv.sabaj.pl)