

## Modern and comfortable

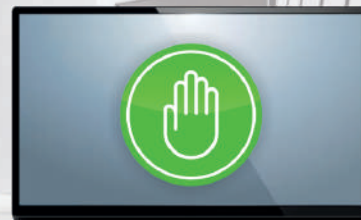
This rotating TV screen stand can be mounted inside the furniture through a 77 mm hole. RF Operated electric motor can swivel the screen +/- 340 degrees. A patented safety clutch System will prevent damage to any obstacles as well as the electric motor. Grommet in the back and hole inside the tube allows easy cable management to inside or outside the furniture. Universal TV mount covers VESA standards from 100x100 to 600x400 and everything in between. 5 Year warranty - at least 80 thousand cycles for screens up to 55 kg. Painted in exclusive black powder paint. For bigger screens with higher vesa mount , use K-BRCK-EXTD accesory.



IR Remote included



2 adjustable favorite  
+ 1 central position



Electromechanical safety system  
prevents damaging the screen,  
obstacles or the mechanism



Cable guide



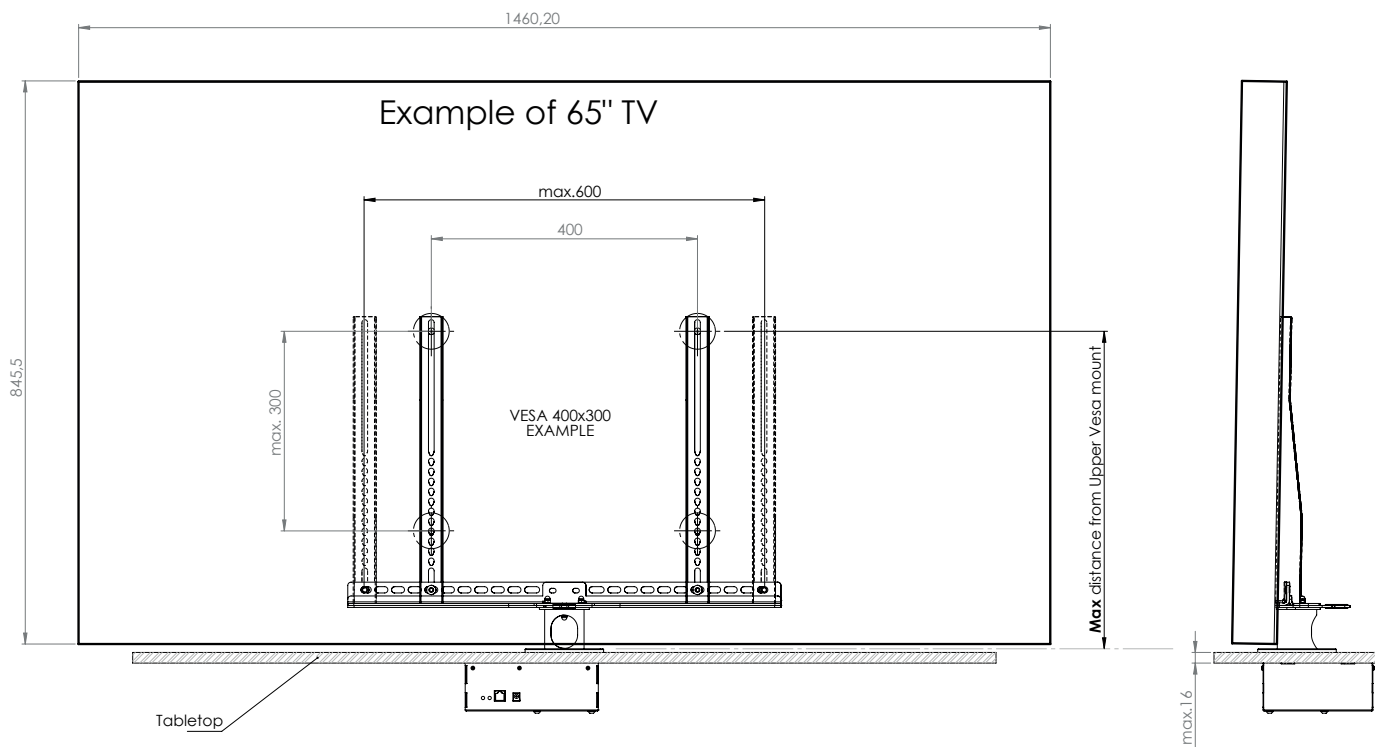
Active RJ-45



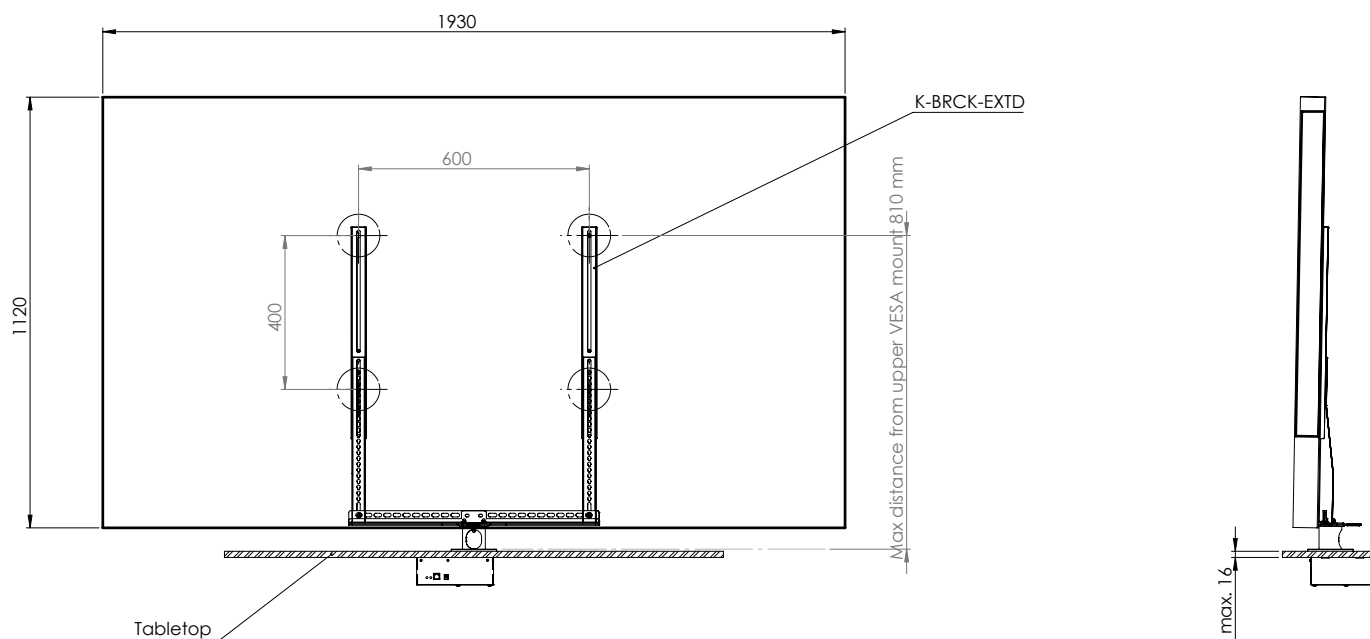
5 year warranty

## Examples of installation



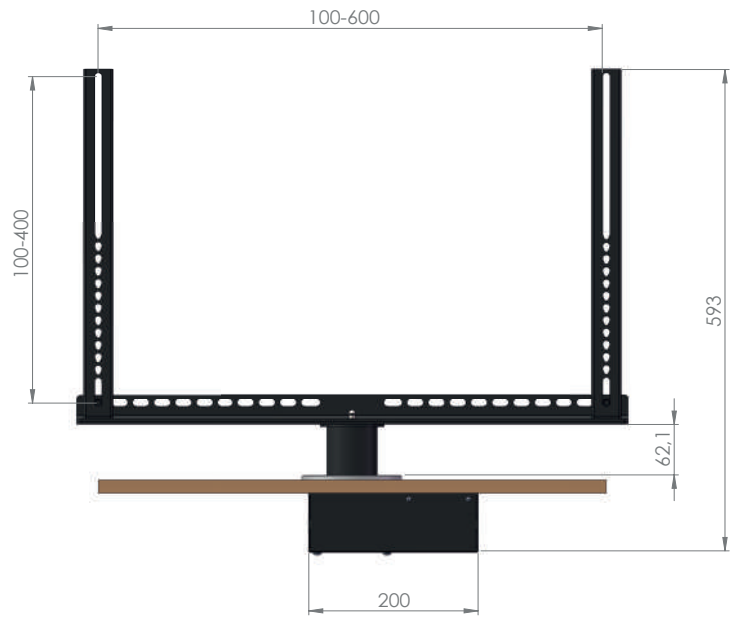


Example of 86" TV with K-BRCK-EXTD

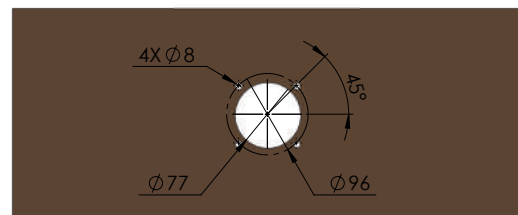




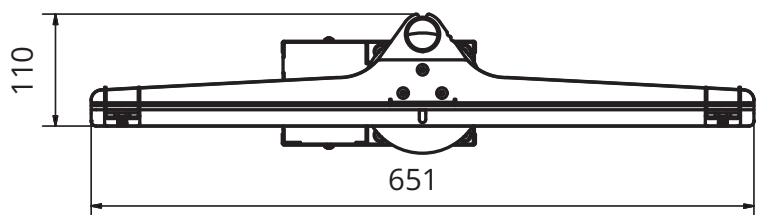
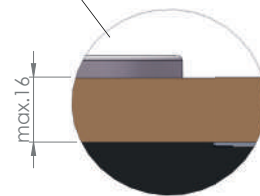
Side view



Front view



A : A



Top view

Specification	
	<b>In-Stand 340</b>
<b>weight capacity</b>	55 kg / 121 lb
<b>height</b>	500 mm / 20"
<b>max. VESA</b>	600x400
<b>TV sizes</b>	40" to 70"*
<b>mounting type</b>	U-Mount
<b>rotation speed</b>	1.5 rpm
<b>angle of rotation</b>	+/- 340°
<b>safety system</b>	clutch
<b>power consumption</b>	3,5W
<b>power supply</b>	115V/230V

\*For bigger screens use K-BRCK-EXTD accesory